

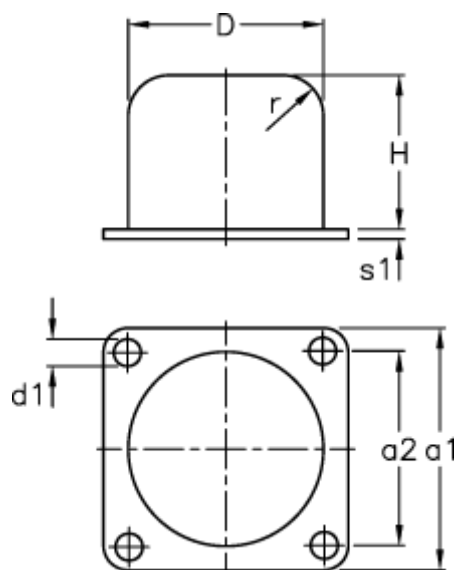
Data Sheet



Article number: 51803429000010

Description: Vibration damper GP-QP 100x80
NR shore 57

Measures



a1	= 125	r = 20.0
a2	= 100	s1 = 6
D	= 100	
d1	= 9.0	
H	= 80	
Load capacity F (kN)	= 95.0	
Load capacity f (mm)	= 44	
Load capacity W (J)	= 1120	